

All data taken at Pacific Northwest National Laboratory (PNNL)

Operators: Jerome C. Birnbaum, Tyler O. Danby, Timothy J. Johnson, Molly Rose K. Kelly-Gorham, Rodica Lindenmaier, Tanya L. Myers

SAMPLE CONDITIONS & PHYSICAL PROPERTIES

Chemical name	Calcium nitrate tetrahydrate	
Chemical formula	Ca(NO ₃) ₂ •4(H ₂ O)	
Synonyms	Lime nitrate; Nitrocalcite	
CAS number	13477-34-4	
Location of field sample	n/a	
History of sample	n/a	
Molecular Weight	236.15 g/mole	
Melting Point	44 °C (dec.)	
Boiling Point	132 °C	
Density (25 °C)	1.82 g/cm ³	
Hardness, Mohs scale	n/a	
Crystallography:		
Cell dimension	a = Å b = Å c = Å	
Crystal system		
H-M symbol (point gr)		
Space group		
H-M symbol (space gr)		
Crystal habit		
Color	Clear/colorless	
Diaphaneity	Transparent	
Particle size	1150 ± 697 µm	
Particle size assessment	Optical microscopy	
Supplier	Sigma-Aldrich	
Stated purity	≥ 99.0%	
Date packed	10 October 2016	Weight: 2.186 grams
Synthesis method	n/a	
Synthesis reference	n/a	
Texture	Sticky, hygroscopic crystals	
Physical state	Solid	
Surface roughness	n/a	
Elemental composition	n/a	
Isotopic composition	n/a	
Moisture content	n/a	
Temperature of sample	22 ± 2 °C	
Substrate	none	

INSTRUMENT PARAMETERS

Tensor 37 FT-IR manufactured by Bruker Optics

External diffuse reflectance accessory	A 562-G integrating sphere
Sphere diameter	75 mm
Angle to normal incidence	14.8°
Sphere opening diameter	19 mm (entrance port)
Spectral range	7,500 to 600 cm ⁻¹ saved; 7500 to 600 cm ⁻¹ reported
Beamsplitter	Ge on KBr
Detector (dia. Det. Port in sphere)	2×2 mm, 60° field of view MCT (550; 0.9); 1 cm
Apodization function	Blackman-Harris 3-term
Aperture	6 mm
Coadded scans	2048
Scanner speed	40 kHz
Switch gain on	512 points
Low pass filter	Open
Scan technique	double-sided, forward-backward
Non-linear correction	Off
High and low folding limit	15802.38-0.00 cm ⁻¹
Phase resolution	32.00
Phase correction mode	Mertz
Zerofilling	4×
Wavenumber accuracy	± 0.4 cm ⁻¹
Spectral resolution	4 cm ⁻¹
Accuracy verification	10/28/2015
Wavelength vetted on:	ICL polystyrene standard #0009-7394-0025A, thin film
Reflectance:	±2% using SRS reflectance standards 50-010-DH27B-4878

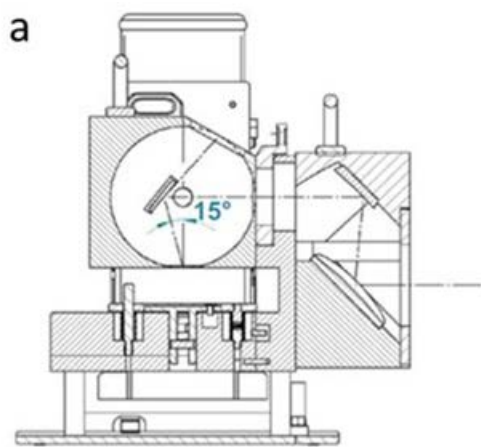


Figure 1: The Bruker 562-G integrating sphere (a) and Tensor 37 (b)

Photographs of sample Calcium nitrate tetrahydrate



Figure 2: Calcium nitrate tetrahydrate in Sigma-Aldrich container.

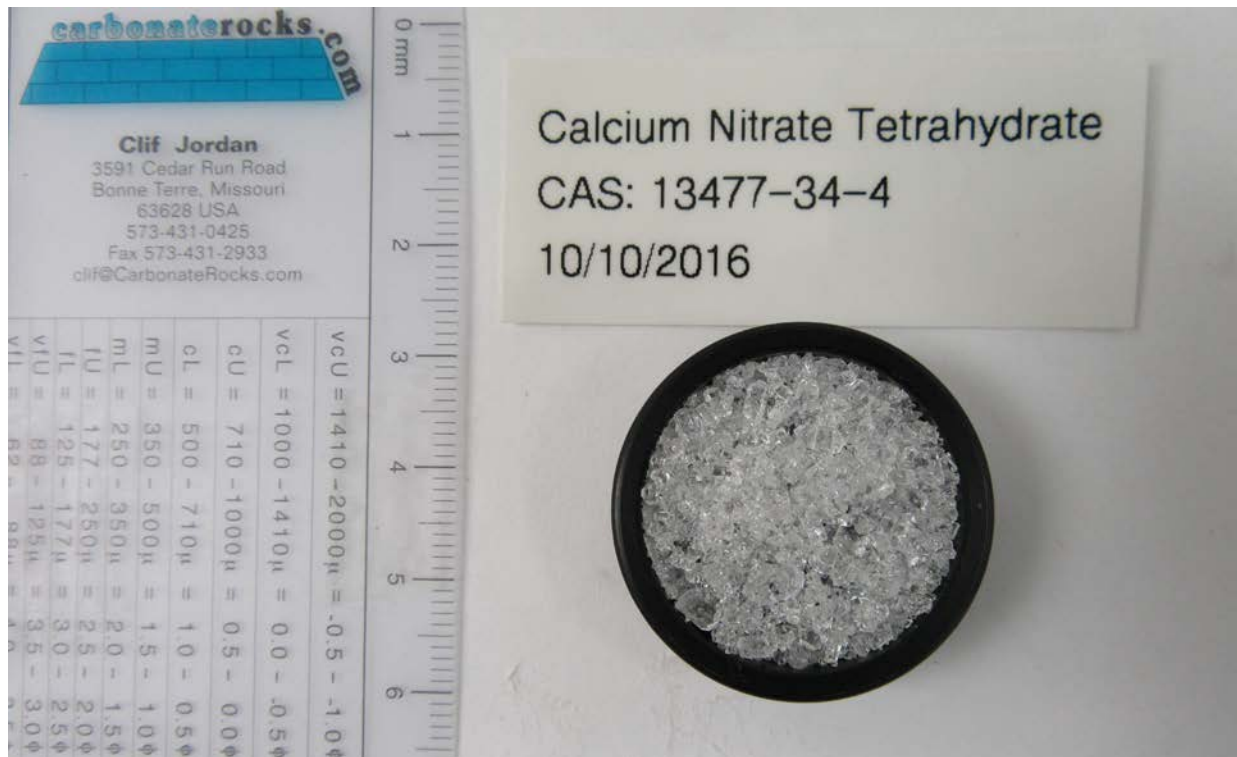


Figure 3: Calcium nitrate tetrahydrate loaded in IR sample cup.

PARTICLE SIZE PREPARATION AND CHARACTERIZATION

Optical microscopy —

A Keyence VHX-1000 digital microscope with 16-bit resolution is used to provide photomicrographs of the various samples and particle sizes. Software included with the microscope differentiates the brightness and colors in the image and extracts the bright objects to produce a binary image. The software assumes all adjacent bright points are part of the same object then calculates the area for each of these objects. The area (A) is used to calculate the mean particle diameter (d) by assuming the particles are spherical and using the relationship $d = \sqrt{4A/\pi}$. Although the assumption of spherical particles is clearly not always valid, this procedure provides a reasonable estimate of the mean particle size.



Figure 4: Photomicrograph of Calcium nitrate tetrahydrate.

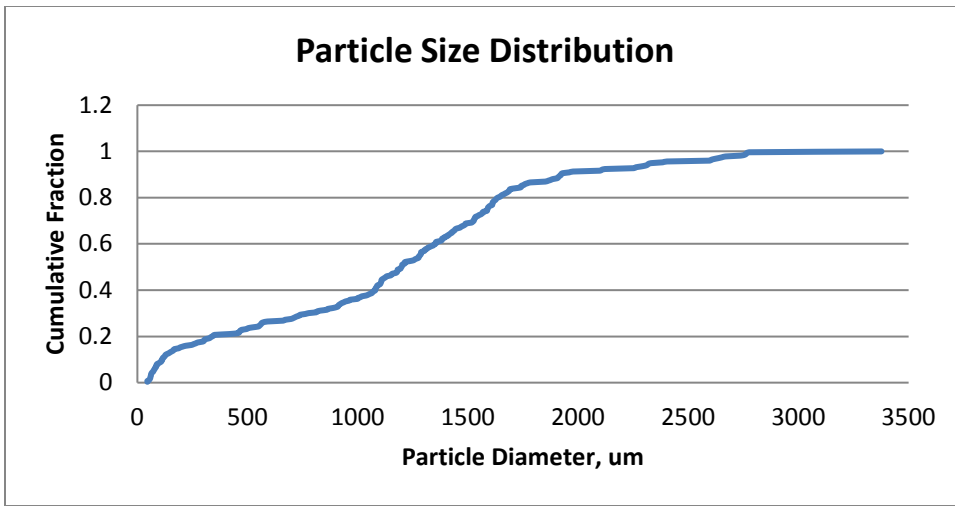


Figure 5: Particle size distribution of Calcium nitrate tetrahydrate.